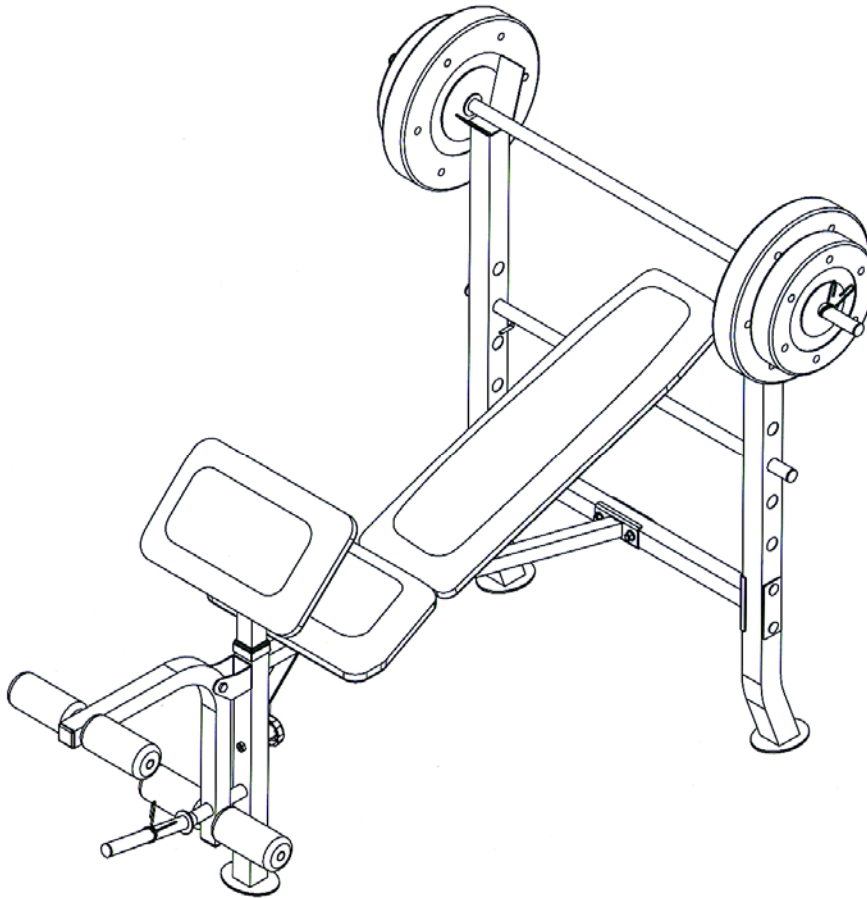




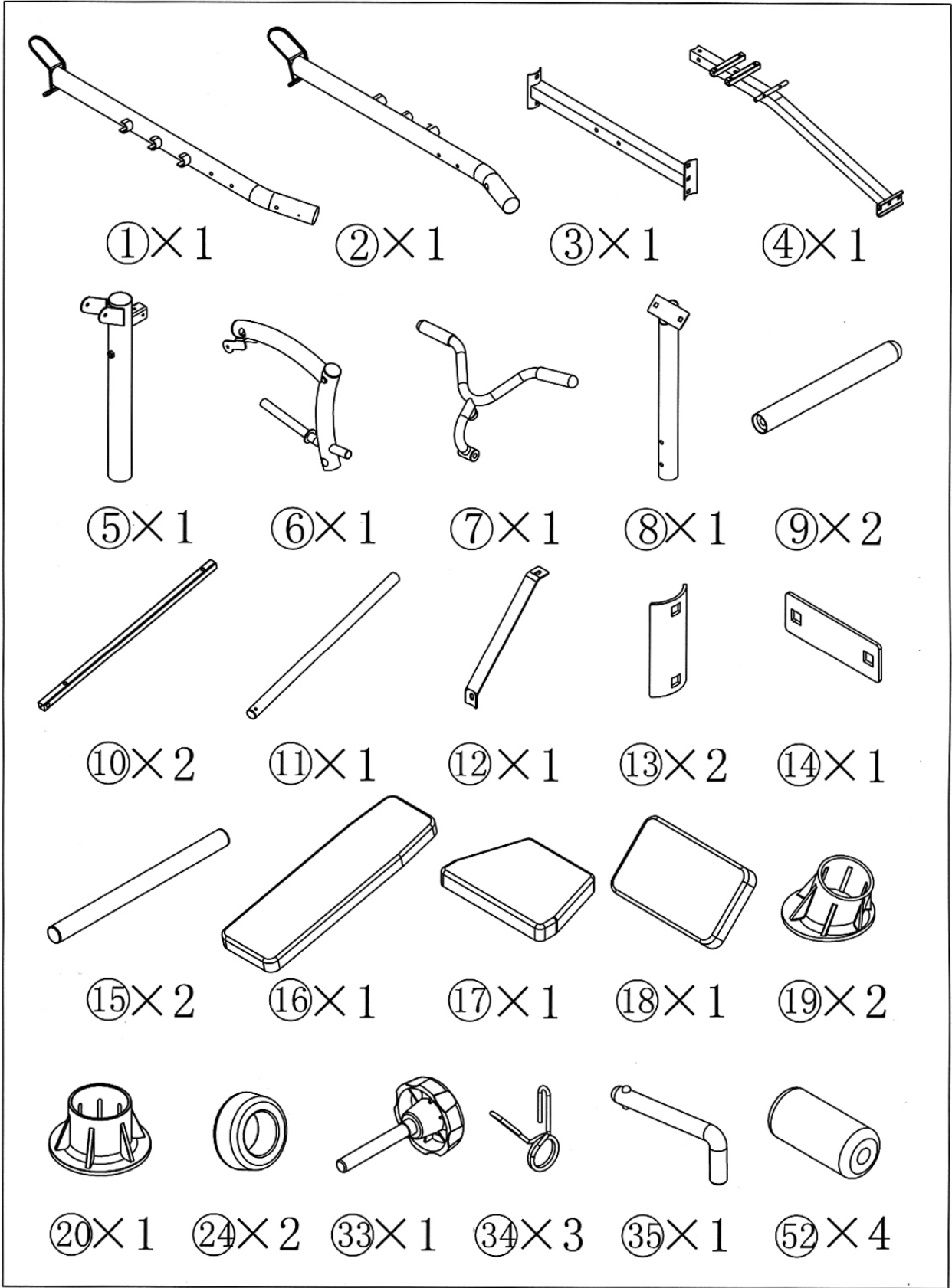
**MARCY CLUB
WEIGHT BENCH
MKB-367RH**

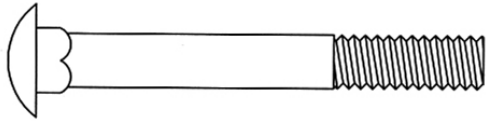


IMPORTANT: Please read the Important Safety Notice and Assembly Information in the Owner's manual before assembling this product.

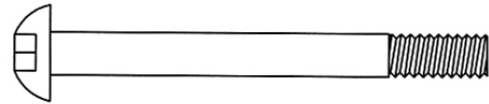
Assembly Manual

120525

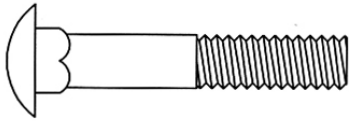




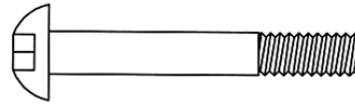
#36 x 4



#39 x 1



#37 x 2



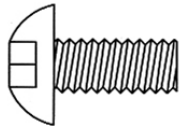
#40 x 1



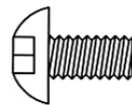
#43 x 4



#42 x 4



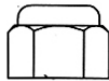
#38 x 2



#41 x 6



#44 x 2



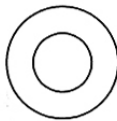
#49 x 6



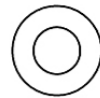
#50 x 2



#51 x 2



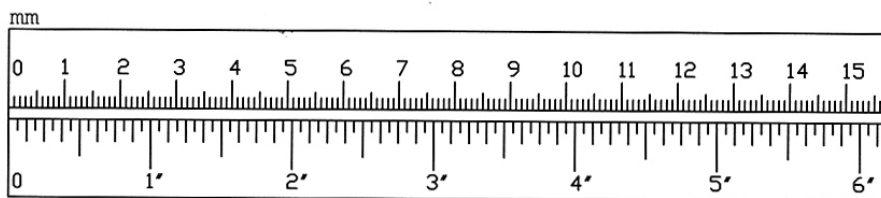
#45 x 6



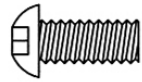
#46 x 10



#47 x 8



③⑧×2



M10×1"

④④×2

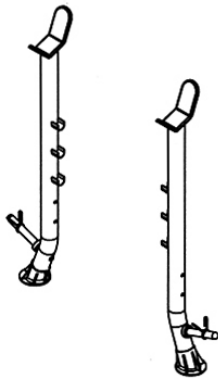
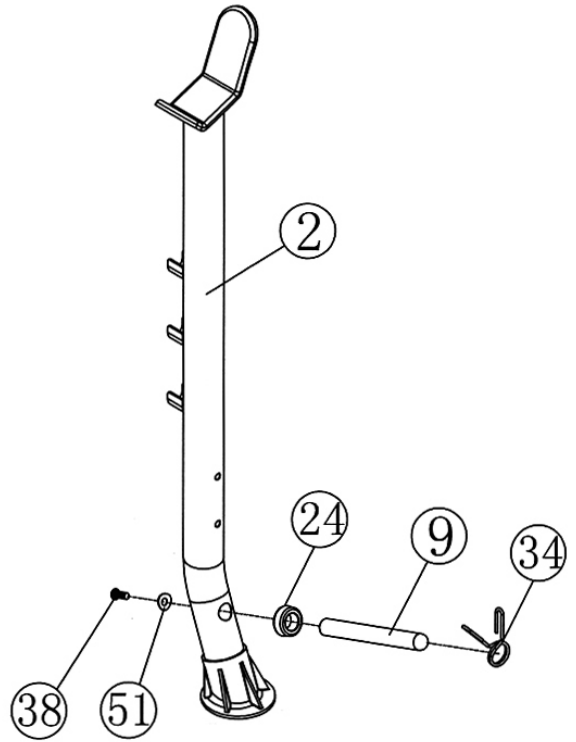
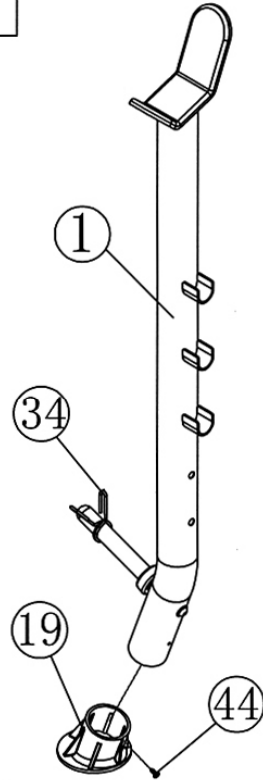
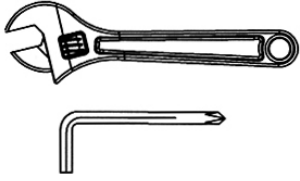


ST5.0

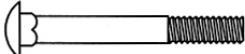
⑤①×2




Ø 3/4"

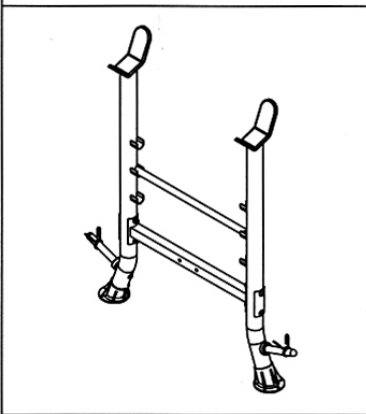
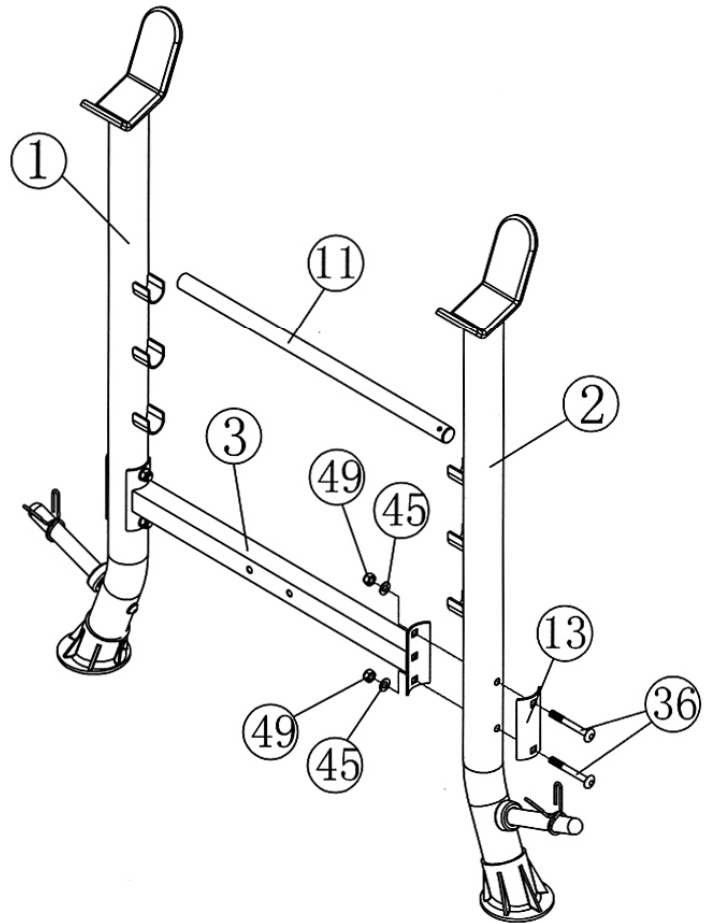
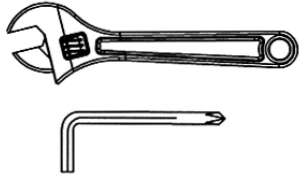


1

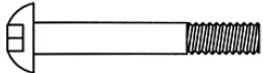
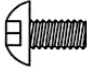

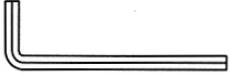

③⑥ × 4  M10 x 3 $\frac{1}{8}$ "

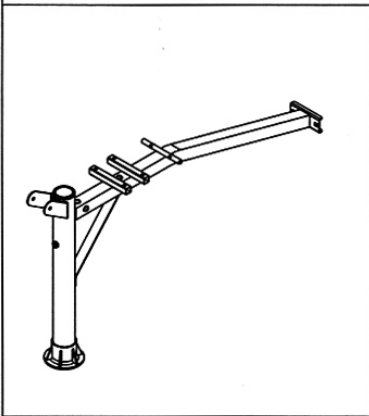
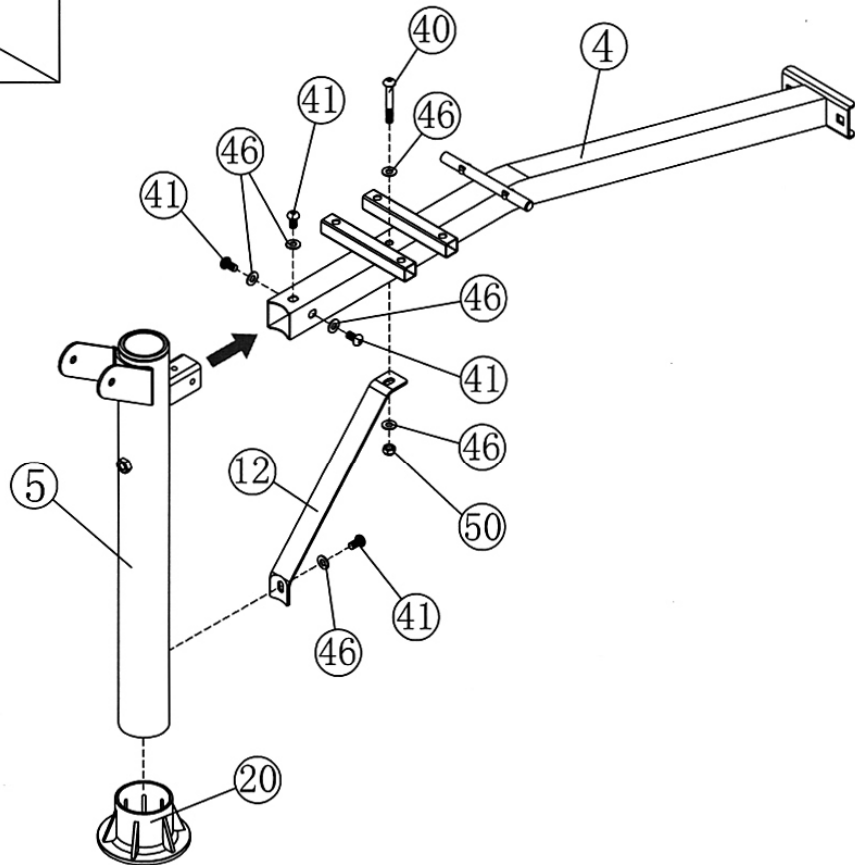
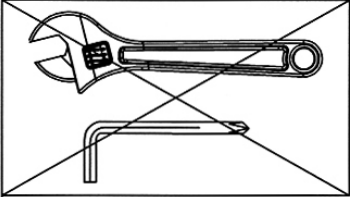
④⑨ × 4  M10

④⑤ × 4  $\varnothing \frac{3}{4}$ "

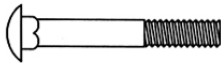


2

- | | | | | | |
|------|---|-------------|------|---|-----------|
| ④①×1 |  | M8 x 2 1/8" | ④①×4 |  | M8 x 5/8" |
| ⑤①×1 |  | M8 | |  | |
| ④⑥×6 |  | ∅ 5/8" | | 5# Allen Wrench (Tool) | |

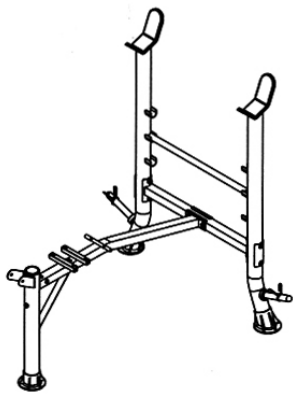
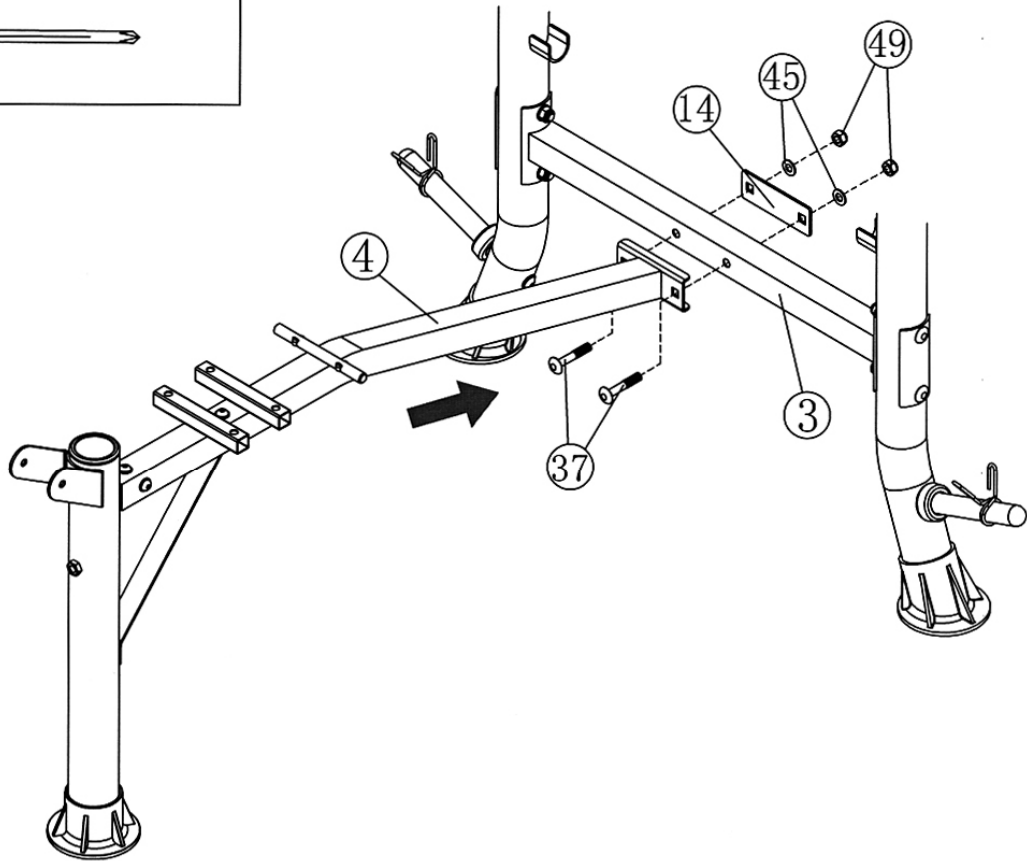
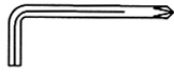


3

③⑦ × 2  M10 x 2 $\frac{1}{8}$ "

④⑤ × 2  $\varnothing \frac{3}{4}$ "

④⑨ × 2  M10



4

④② × 4

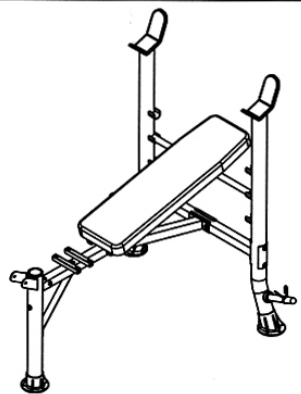
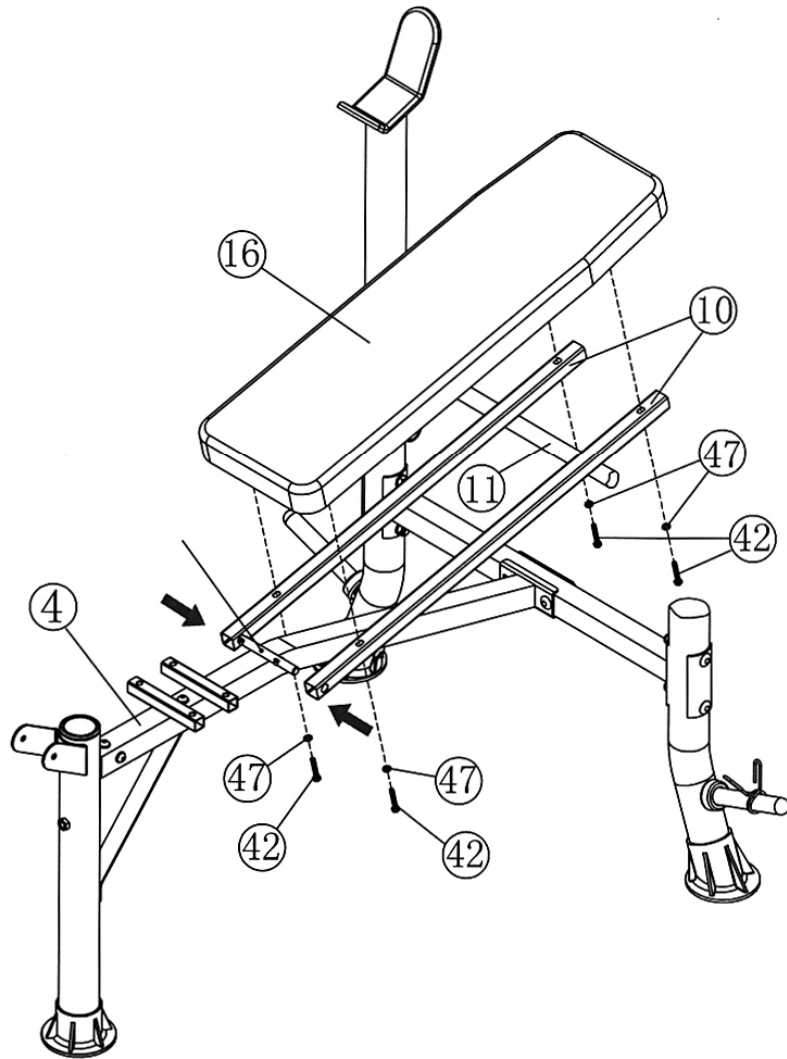


M6 x 1 1/2"

④⑦ × 4



Ø 1/2"



5

④③ × 4

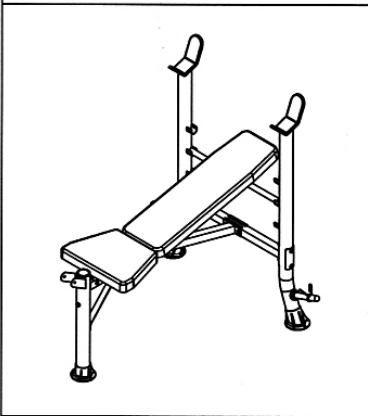
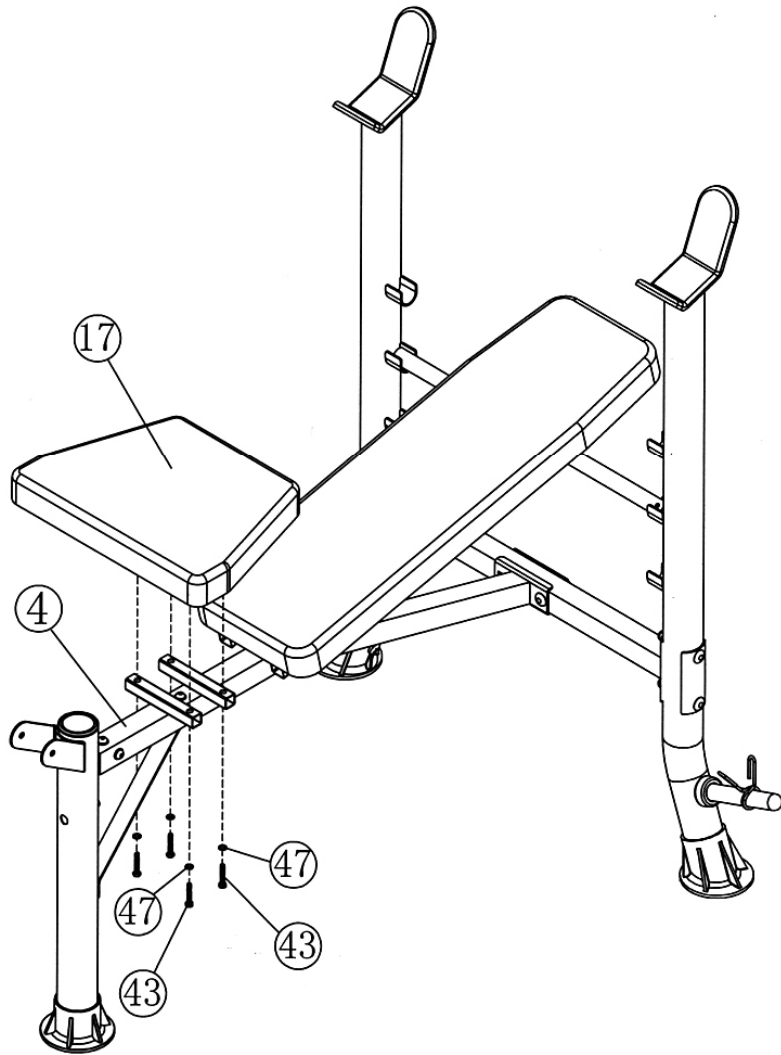
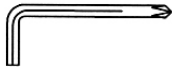


M6 x 1 $\frac{3}{8}$ "

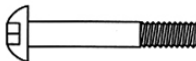
④⑦ × 4



Ø $\frac{1}{2}$ "

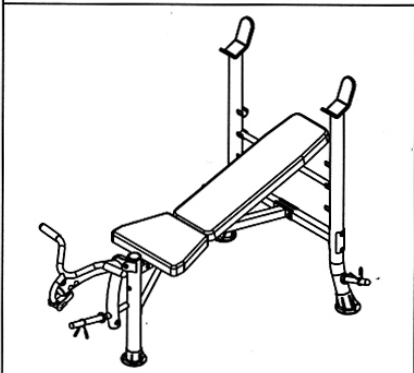
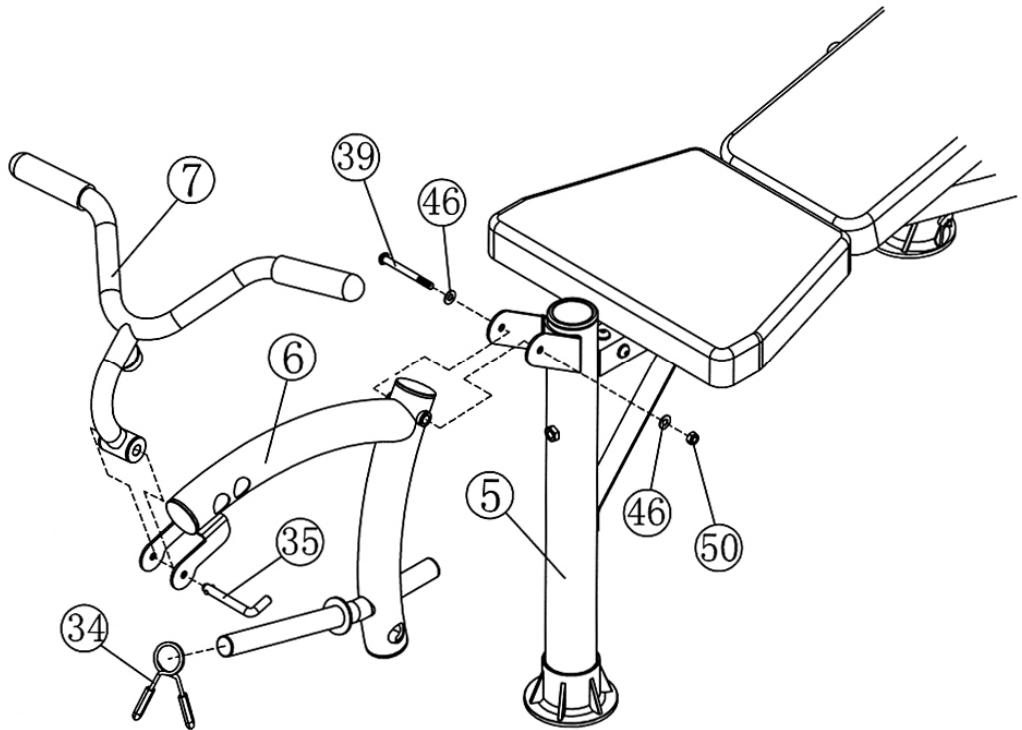
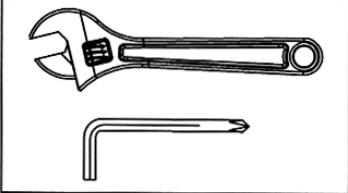


6

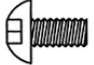
③⑨×1  M8 x 3 $\frac{1}{8}$ "

⑤⑩×1  M8

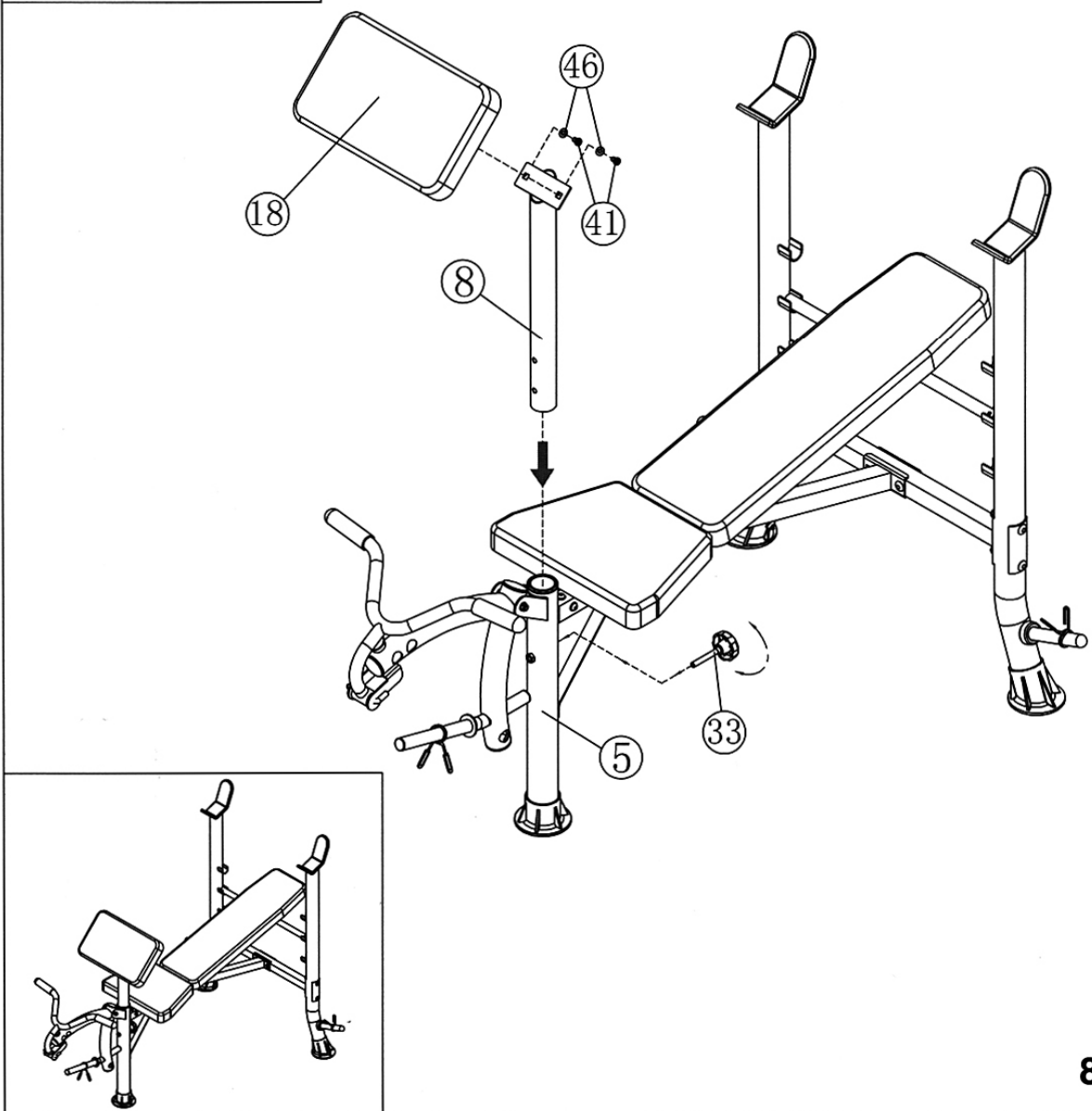
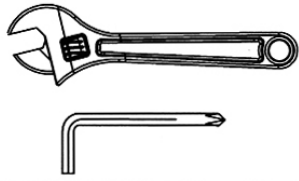
④⑥×2  $\varnothing \frac{5}{8}$ "



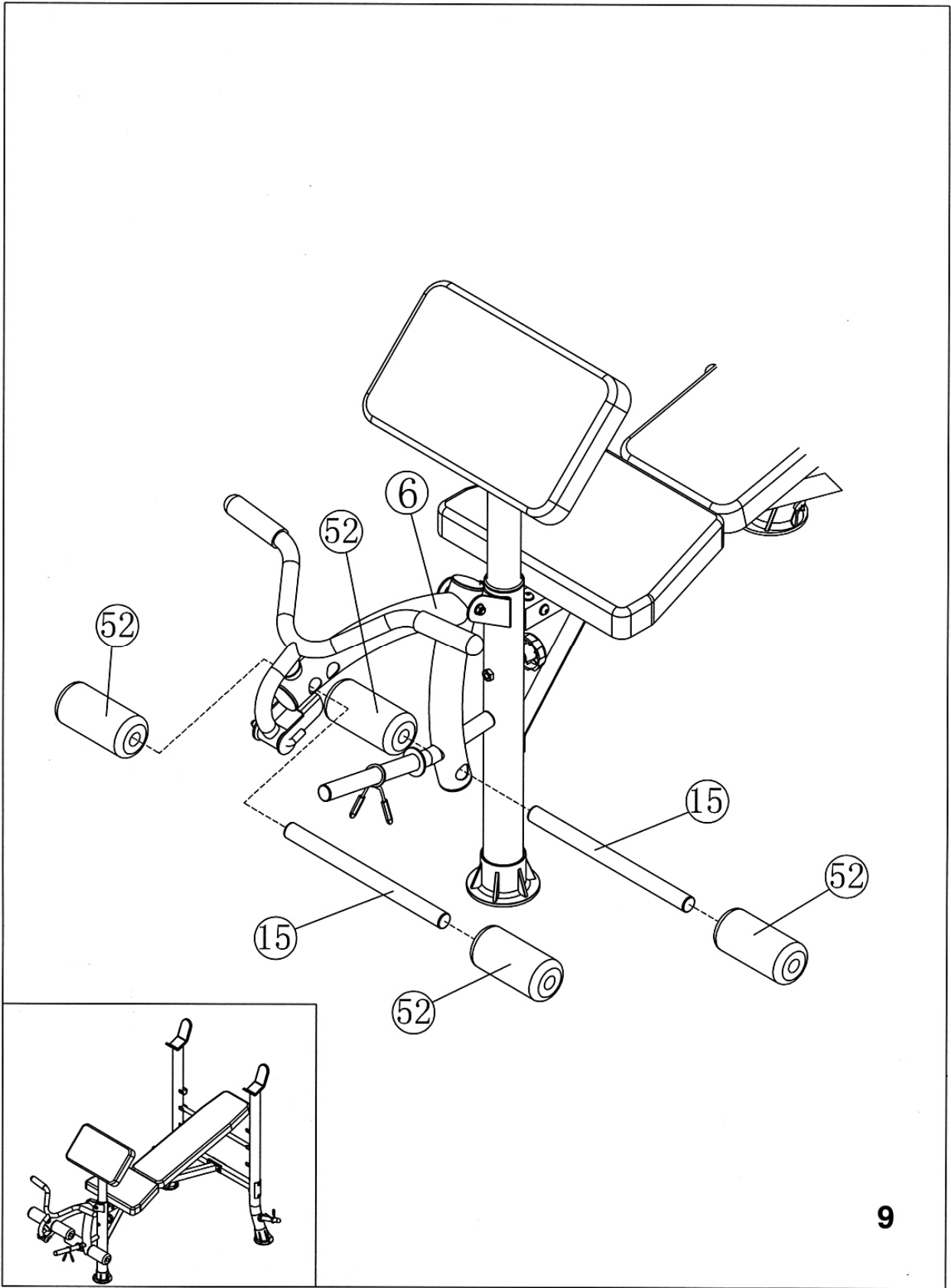
7

④①×2  M8 x $\frac{5}{8}$ "

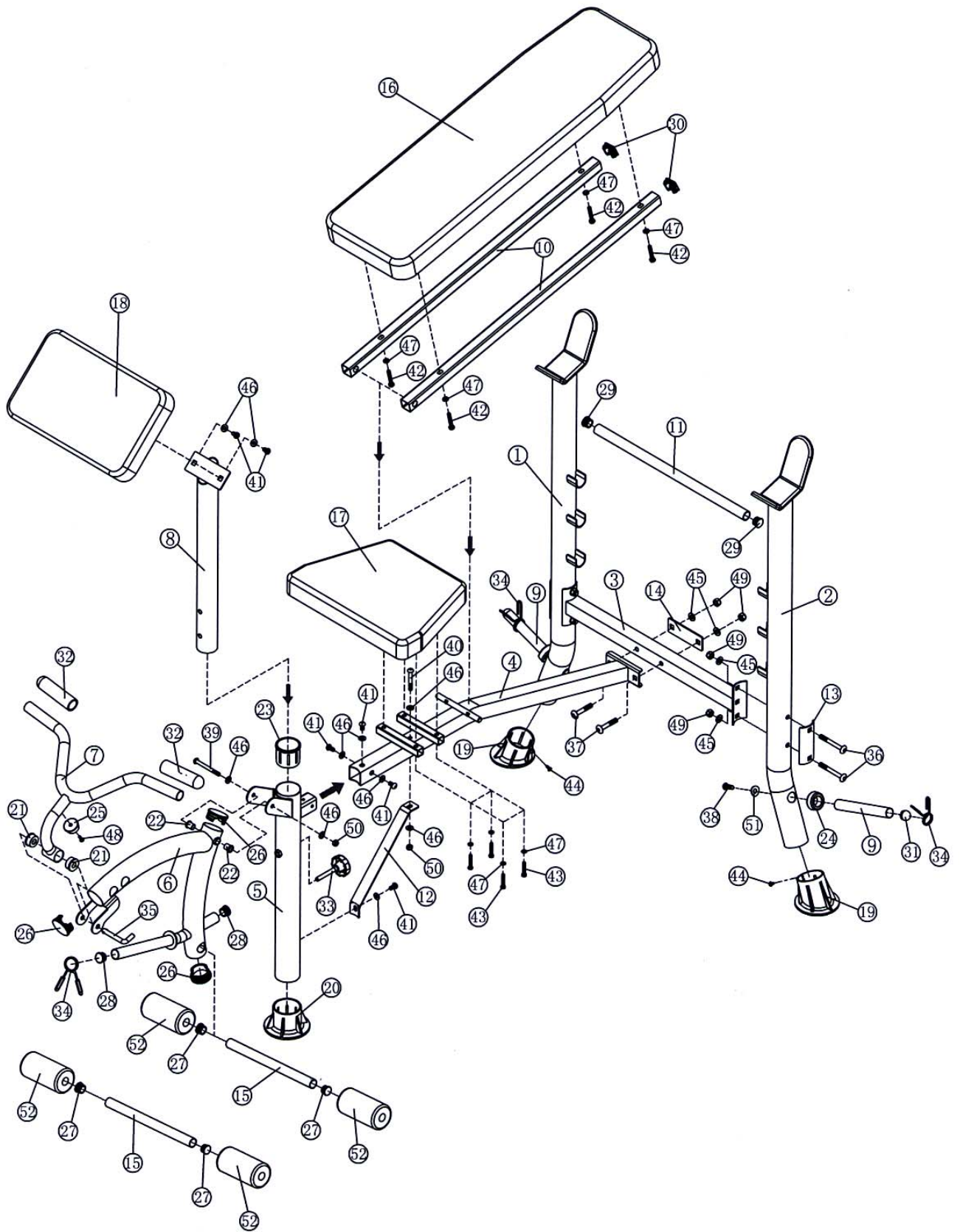
④⑥×2  $\varnothing \frac{5}{8}$ "



8



9



IMPEX® INC.

2801 South Towne Avenue, Pomona, California 91766

Tel: (800) 999-8899 Fax: (626) 961-9966

www.impex-fitness.com

info@impex-fitness.com